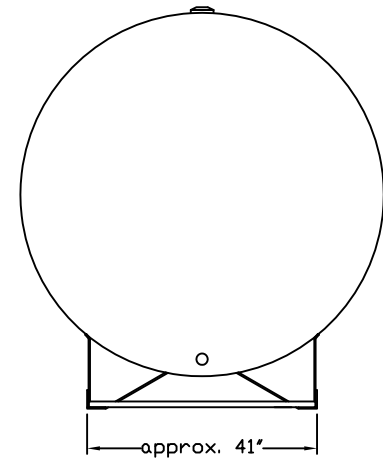
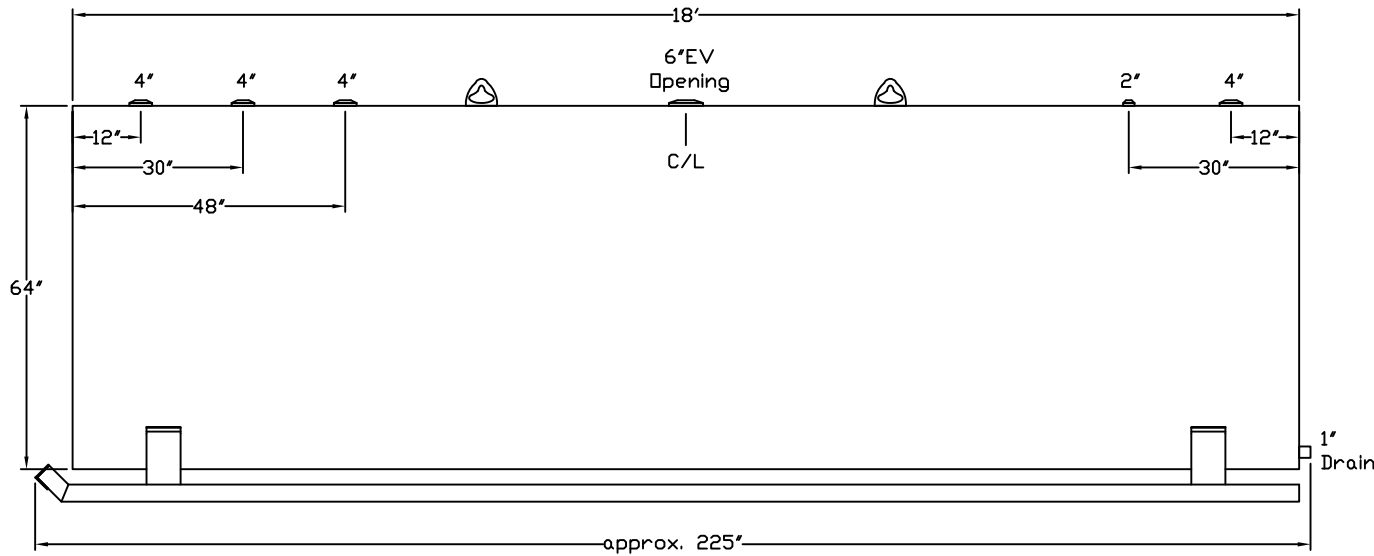


Stanwade Metal Products, Inc.
 6868 State Route 305 PO Box 10
 Hartford, Ohio 44424
 Phone: 800-826-5243 Fax: 1-330-772-3307
 www.tankstore.com

Capacity 3,000 Gallons Heads Primary 7 Ga.
 Design Singlewall Angleskid Shell Primary 7 Ga.
 Code UL 142 Heads Secondary _____
 Test Pres. 5 PSI Shell Secondary _____

Paint Ext. Red Primer
 Paint Int. _____
 Weight Empty 2,900 lbs.
 Rev.# _____ Date: _____

Tank For Stationary Use Only



Customer: _____ Drg. Date: _____

Quoted Lead Times Begin Upon Receipt of signed Approved
 Drawing, Which Must be Returned Before Production Can Begin.

Drawing Approved By: _____