



**STANWADE METAL PRODUCTS, INC.**

6868 State Route 305, P.O. Box 10  
Hartford, Ohio 44424  
Phone: 800-826-5243 Fax: 1-330-772-3307  
www.tankstore.com



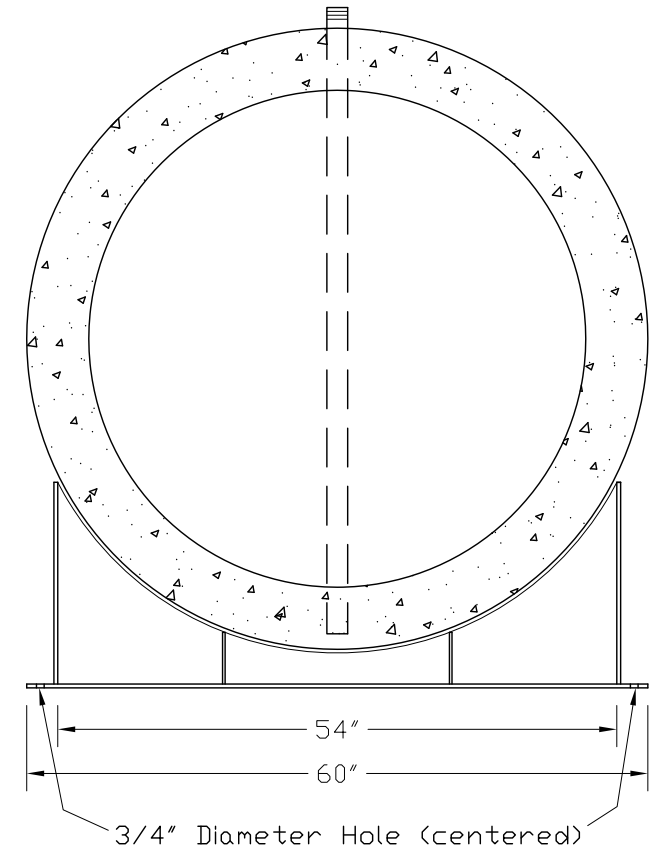
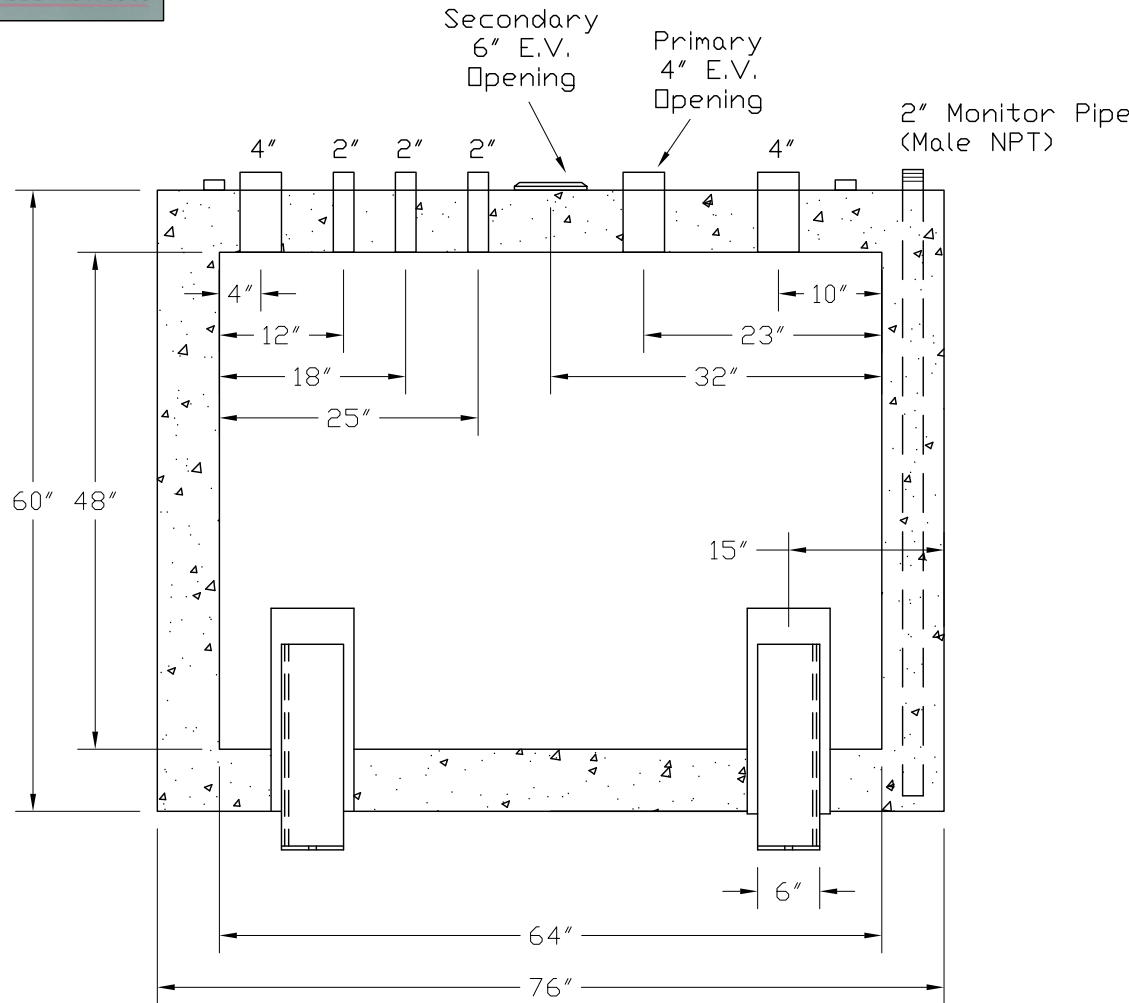
Capacity: 500 Gallons  
Design: Double Wall AG  
Code: UL 2085 Fireguard  
Test Pres. 5 PSI

Primary Heads: 7 Ga.  
Primary Shell: 7 Ga.  
Secondary Heads: 7 Ga.  
Secondary Shell: 7 Ga.

Paint Exterior: White Urethane  
Paint Interior: \_\_\_\_\_  
Weight Empty: 4,100 LBS.  
Revision #: \_\_\_\_\_ Date: \_\_\_\_\_

Notes:

- 1. Tank For Stationary Use Only.
- 2. All openings are Male NPT.
- 3. Lifting Lugs Offset.



Customer: \_\_\_\_\_  
Drawing #: \_\_\_\_\_  
Order #: \_\_\_\_\_

Drawing Date: \_\_\_\_\_

Quoted Lead Times Begin Upon Receipt of signed Approved Drawing, Which Must be Returned Before Production Can Begin.

Drawing Approved By:

-----