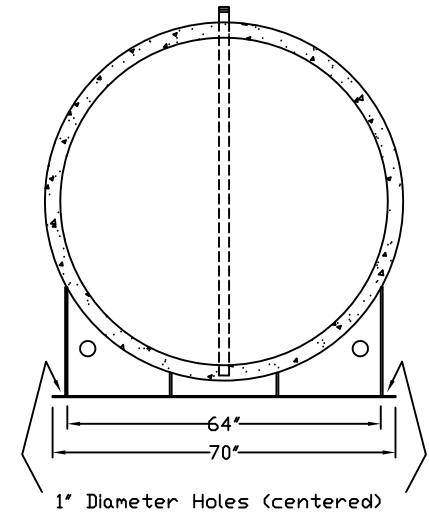
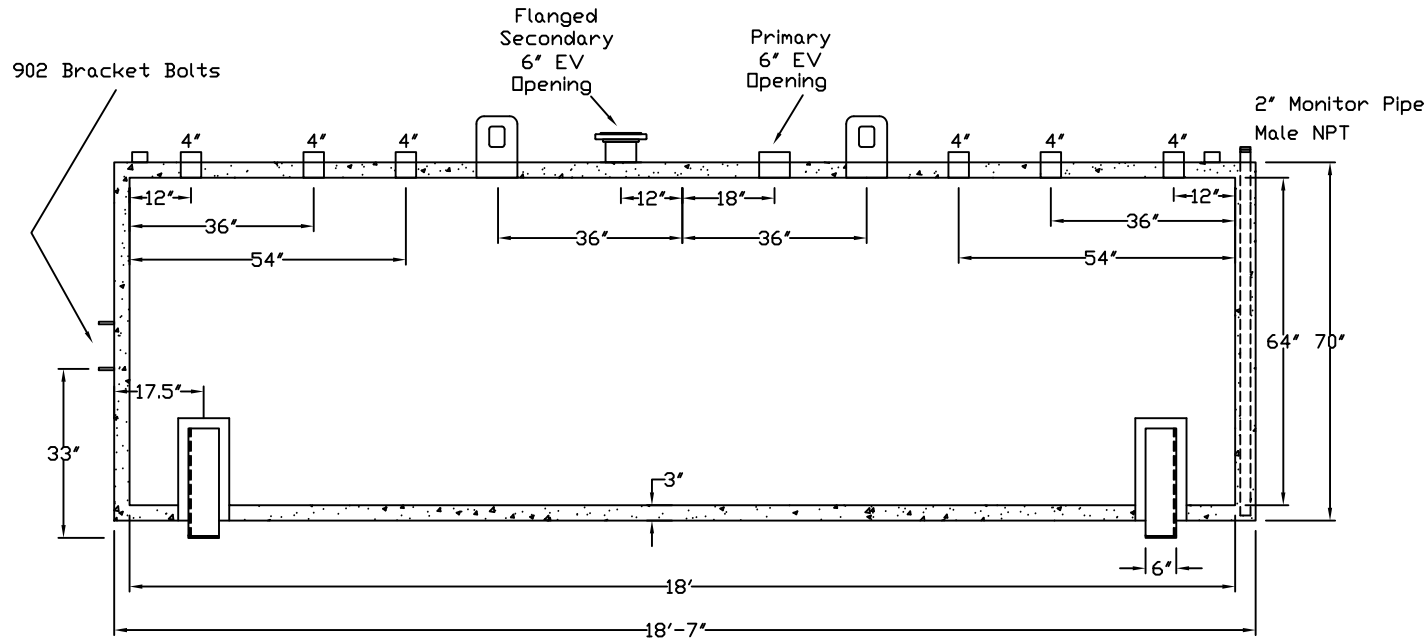


Stanwade Metal Products, Inc.
 6868 State Route 305 PO Box 10
 Hartford, Ohio 44424
 Phone: 800-826-5243 Fax: 1-330-772-3307
 www.tankstore.com

Capacity _____ 3,000 Gallons _____ Heads Primary _____ 7 Ga.
 Design _____ Double Wall AG _____ Shell Primary _____ 7 Ga.
 Code _____ UL 2085 Fireguard _____ Heads Secondary _____ 7 Ga.
 Test Pres. _____ 5 PSI _____ Shell Secondary _____ 7 Ga.

Paint Ext. _____ White Urethane _____
 Paint Int. _____ _____
 Weight Empty _____ 10,700 lbs. _____
 Rev.# _____ Date: _____

Tank For Stationary Use Only



Customer: _____ Drg. Date: _____

Quoted Lead Times Begin Upon Receipt of signed Approved Drawing, Which Must be Returned Before Production Can Begin.

Drawing Approved By: _____