

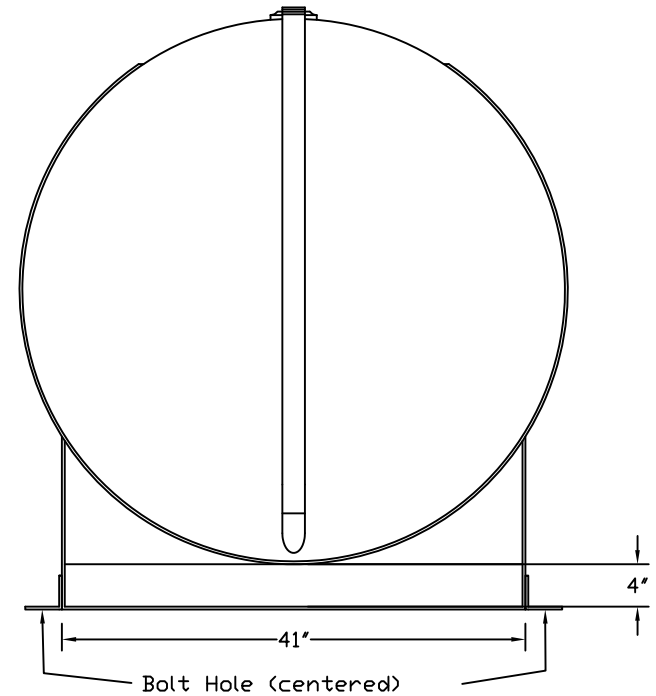
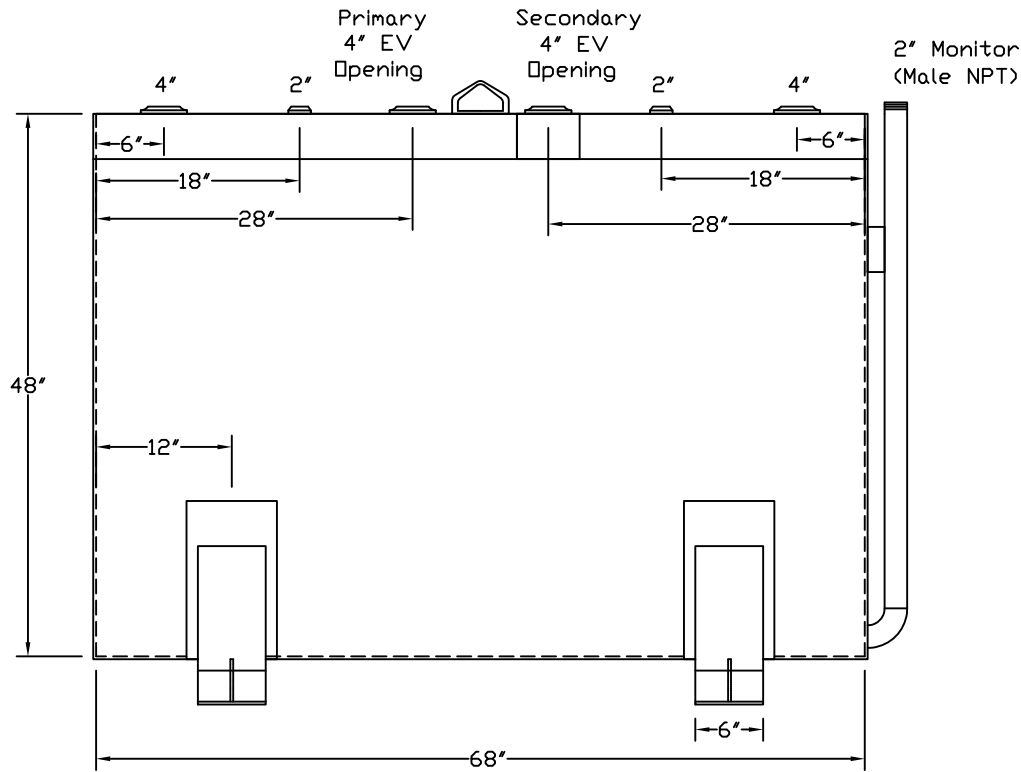
Stanwade Metal Products, Inc.  
 6868 State Route 305 PO Box 10  
 Hartford, Ohio 44424  
 Phone: 800-826-5243 Fax: 1-330-772-3307  
 www.tankstore.com

Tank for Stationary Use Only

Capacity \_\_\_\_\_ 520 Gallons  
 Design \_\_\_\_\_ Aboveground Doublewall  
 Code \_\_\_\_\_ UL 142  
 Test Pres. \_\_\_\_\_ 5 PSI

Heads Primary \_\_\_\_\_ 10 Ga.  
 Shell Primary \_\_\_\_\_ 12 Ga.  
 Heads Secondary \_\_\_\_\_ 12 Ga.  
 Shell Secondary \_\_\_\_\_ 12 Ga.

Paint Ext. \_\_\_\_\_ Red Primer  
 Paint Int. \_\_\_\_\_  
 Weight Empty \_\_\_\_\_ 1,100 lbs.  
 Rev.# \_\_\_\_\_ Date: \_\_\_\_\_



Customer: \_\_\_\_\_ Drg. Date: \_\_\_\_\_

Drawing Approved By: \_\_\_\_\_

Quoted Lead Times Begin Upon Receipt of signed Approved Drawing, Which Must be Returned Before Production Can Begin.