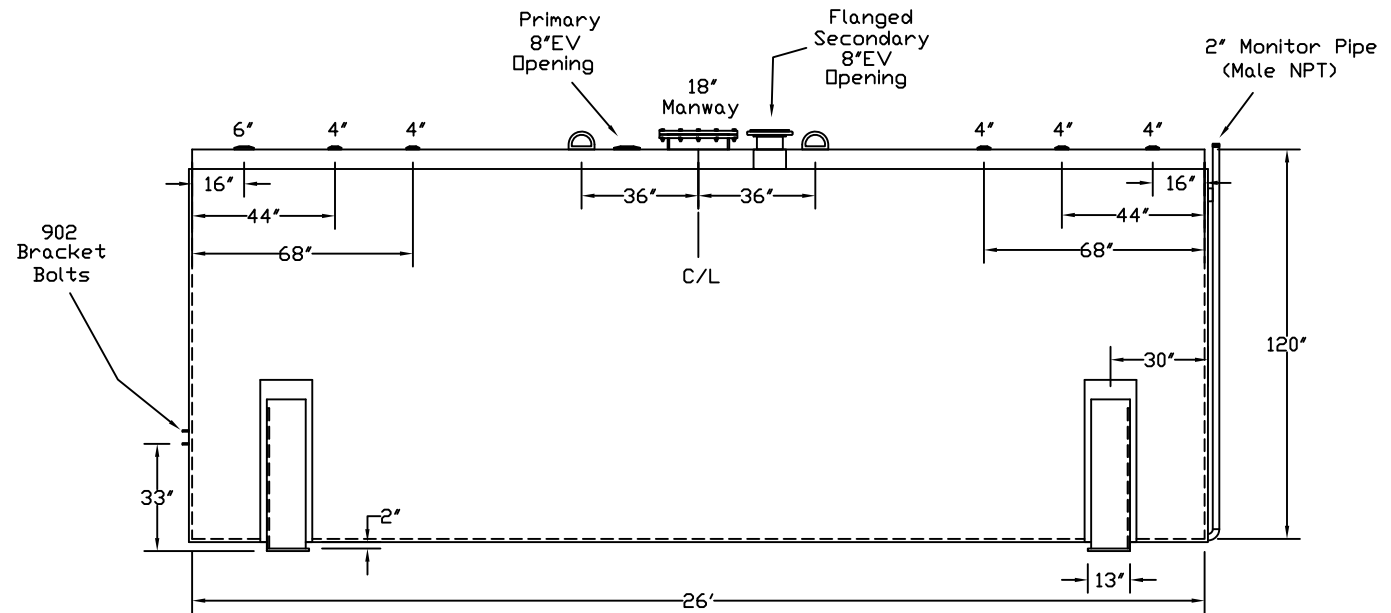
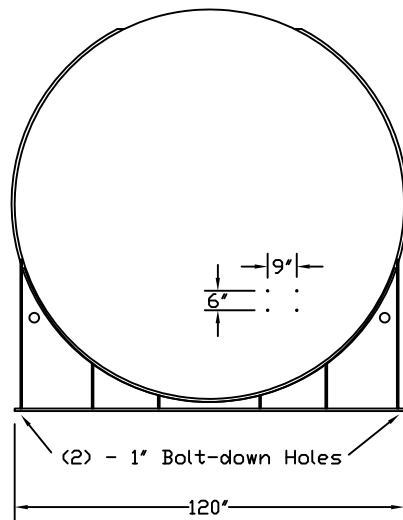


Stanwade Metal Products, Inc.
 6868 State Route 305 PO Box 10
 Hartford, Ohio 44424
 Phone: 800-826-5243 Fax: 1-330-772-3307
 www.tankstore.com

Tank For Stationary Use Only

Capacity _____ 15,000 Gallons _____ Heads Primary _____ 1/4" _____
 Design _____ Double Wall AG _____ Shell Primary _____ 1/4" _____ Paint Ext. _____ Red Primer _____
 Code _____ UL 142 _____ Heads Secondary _____ 1/4" _____ Paint Int. _____ _____
 Test Pres. _____ 5 PSI _____ Shell Secondary _____ 7 Ga. _____ Weight Empty _____ 21,400 lbs. _____
 Rev.# _____ Date: _____



Customer: _____ Drg. Date: _____

Drawing Approved By: _____

Quoted Lead Times Begin Upon Receipt of signed Approved Drawing, Which Must be Returned Before Production Can Begin.